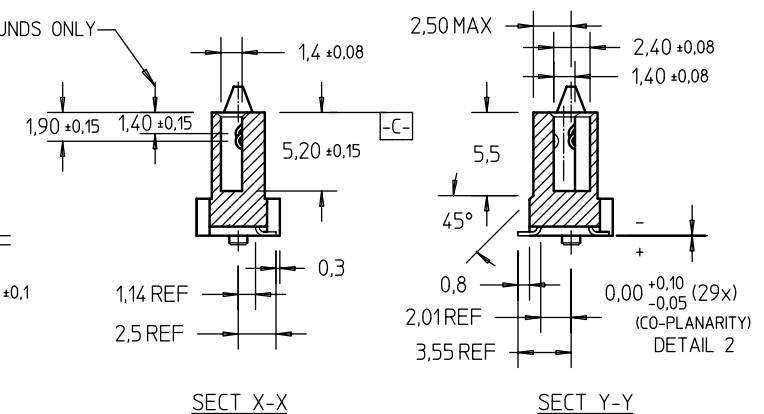
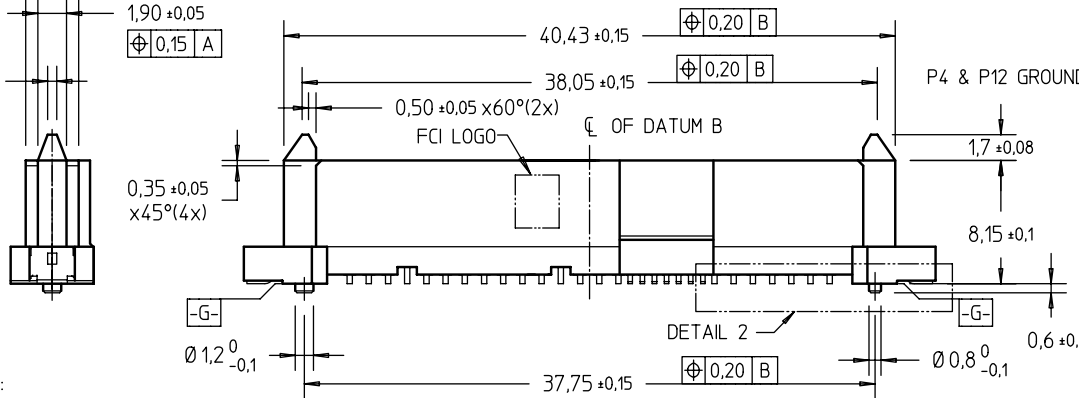
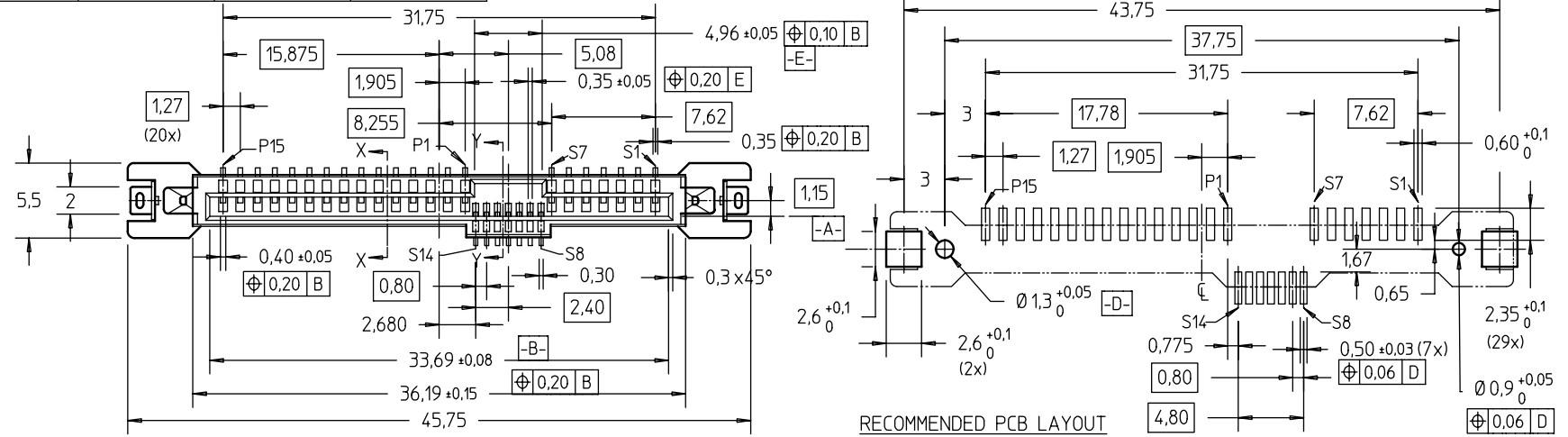


FCI CONFIDENTIAL



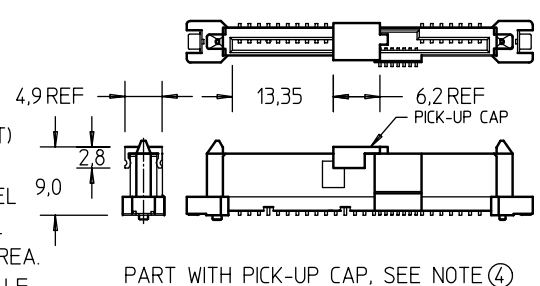
This document is the property of and embodies CONFIDENTIAL and PROPRIETARY information of FCI. No part of the information shown on this document may be used in any way or disclosed to others without the written consent of FCI.
Copyright © FCI

PRODUCT NO	METAL CLIP	PICK-UP CAP	PACKAGING	REMARKS
10031567-001LF	2 PCS	NO	TRAY	⑧
10031567-001CLF		YES		④,⑧
10031567-001C-TRLF		YES	TAPE & REEL	④,⑥,⑧



NOTES:

- MATERIAL:
 - HOUSING : HIGH TEMP TERMOPLASTIC, UL 94V-0
COLOR : BLACK
 - TERMINAL : COPPER ALLOY
 - HOLD DOWN : COPPER ALLOY
- FINISH :
 - TERMINAL : 30u" Au PLATING (CONTACT POINT)
OVER 50u" NICKEL
 - SOLDER TAIL : 100u" min Sn OVER 50u" NICKEL
 - HOLD DOWN : 100u" min Sn OVER 50u" NICKEL
- PER SFF REV 1.1, EXCEPT 0.8mm PITCH BUMP AREA.
- PART WITH PICK-UP CAP, P/N XXXXXXXX-XXXC_LF



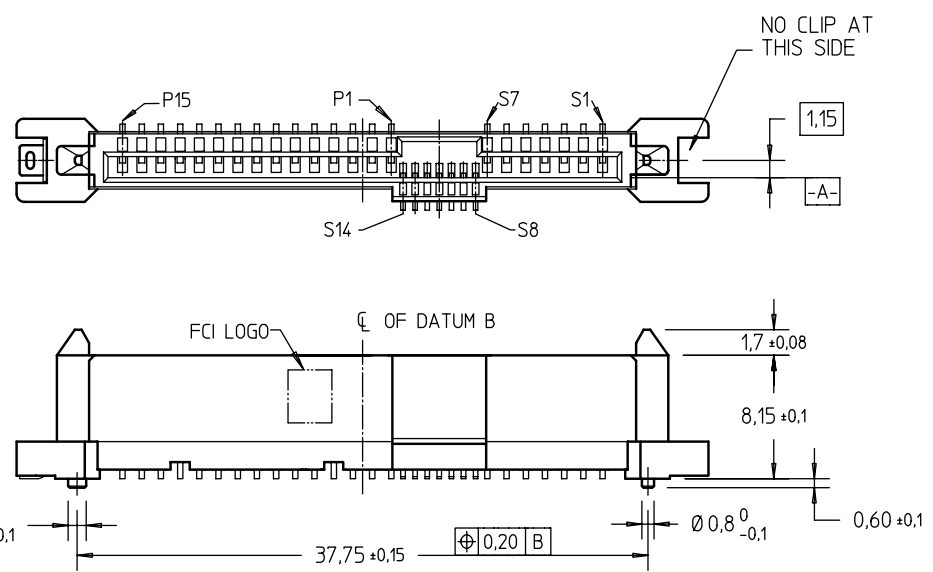
mat'l code		surface	tolerance	projection	product family
		ISO 1302	ISO 406 ISO 1101		SAS
tr ecn no dr date		tolerances unless otherwise specified		mm	title
F	S05-0292	GLL	2005-10-12		SAS RECEPTACLE
G	S06-0281	GLL	2006-08-28		VERTICAL SMT TYPE ASSY
H	S07-0045	GLL	2007-02-09	scale 2:1	dwg no
		dr	GL L00	2004-02-27	10031567
		enrg	GL L00	2004-02-27	sheet 1 of 2
		chr	GL L00	2007-02-09	size
		appd	JOEY NG	2007-02-09	A4
sheet index	revision sheet	H	H	type CUSTOMER Drawing	
		1	2		

FCI CONFIDENTIAL



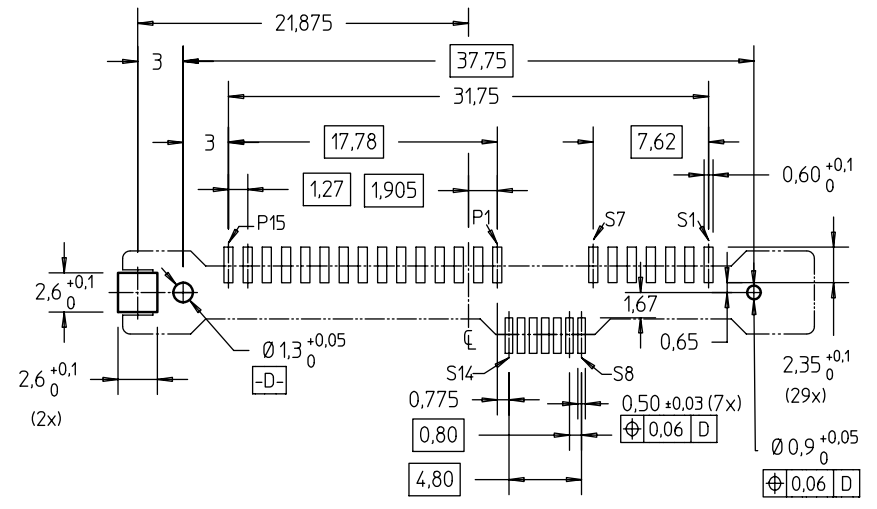
This document is the property of and embodies CONFIDENTIAL and PROPRIETARY information of FCI. No part of the information shown on this document may be used in any way or disclosed to others without the written consent of FCI. Copyright FCI.

PRODUCT NO	METAL CLIP	PICK-UP CAP	PACKAGING	REMARKS
10031567-002LF	1 PC	NO	TRAY	⑧
10031567-002CLF		YES		④,⑧
10031567-002C-TRLF		YES	TAPE & REEL	④,⑥,⑧

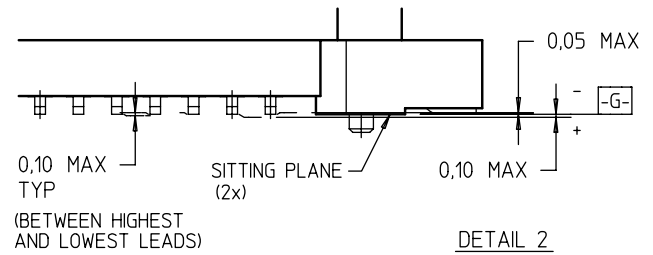


NOTES:
ALL OTHER DIMENSIONS, REFER TO SHEET 1.

- NOTES:
- ⑤ THE STD PACKAGING IS IN TRAY UNLESS OTHERWISE SPECIFIED.
 - ⑥ PART NUMBER WITH SUFFIX "-TR" MEANS FOR TAPE & REEL PACKAGING (E.G. P/N XXXXXXXX-XXXC-TRLF).
 - 7 THE HOUSING WILL WITHSTAND EXPOSURE TO 260°C PEAK TEMPERATURE FOR 10 SECONDS IN A CONVECTION, INFRA-RED OR VAPOR PHASE REFLOW OVEN.
 - ⑧ THIS PRODUCT MEETS EUROPEAN UNION DIRECTIVES AND OTHER COUNTRY REGULATIONS AS DESCRIBED IN GS-22-008.
 - ⑨ PART NUMBERS ENDING IN "LF" MEANS FOR NOTE 8 LEAD FREE IDENTIFICATION
 - (i) XXXXXXXX-XXLF IS EQUIVALENT TO PREVIOUS P/N XXXXXXXX-XXX
 - (ii) XXXXXXXX-XXXCLF IS EQUIVALENT TO P/N XXXXXXXX-XXXC
 - (iii) XXXXXXXX-XXXC-TRLF IS EQUIVALENT TO P/N XXXXXXXX-XXXC-TR



RECOMMENDED PCB LAYOUT



DETAIL 2
S : 3/1

mat'l code		surface <input checked="" type="checkbox"/> ISO 1302		tolerance <input checked="" type="checkbox"/> ISO 406 ISO 1101		projection		product family SAS		
ltr	ecn no	dr	date		tolerances unless otherwise specified		title			
H			angles	linear	= +0,20		SAS RECEPTACLE VERTICAL SMT TYPE ASSY			
			± 2°		mm		scale 2 : 1			
			dr	GL L00	2004-02-27			dwg no		
			enr	GL L00	2004-02-27			sheet 2 of 2		size
			chr	GL L00	2007-02-09			10031567		A4
			appd	JOEY NG	2007-02-09			type		CUSTOMER Drawing
sheet index	revision sheet	1								